



SPECIFICATION PTC 273:2019

REQUIREMENTS FOR CONNECTION OF ADSL CPE TO THE SPARK NETWORK

CONTENTS

Telecom Disclaimer	4
1. INTRODUCTION	5
1.1. Purpose of this document	5
1.2. Goals of CPE qualification	5
1.3. Field Impact	5
2. DEFINITIONS	6
3. SCOPE	7
4. REFERENCE MODELS	8
5. GENERAL REQUIREMENTS	9
5.1 Supplier Information	9
6. TELECOM SPECIFIC REQUIREMENTS AND TESTS	10
6.1 Total Aggregate Power	10
6.2 PSD compliance test	10
6.3 Longitudinal Balance	13
6.4 Longitudinal Output Voltage	14
6.5 CPE identification test	14
6.6 Basic Performance test	15
6.7 Electrical Safety	16
6.8 EMC	16
6.9 WLAN Compliance	17
6.10 Compatibility with Voice Services on the same line	17
6.11 User Instructions	18

Referenced documents

International standards

[1] Network and Customer Installation Interfaces – ADSL Metallic Interface
ANSI T1.413, 1998

[2] Asymmetric digital subscriber Line (ADSL) transceivers.

ITU G.992.1 (G.dmt), June 1999

Further completed with all Corrigenda and Amendments until December 2003.

[3] Asymmetric digital subscriber Line (ADSL) transceivers 2.

ITU G.992.3 (G.dmt.bis), January 2005.

Further completed with Amendments 1 (Sept 05), 2 (Mar 06) and 3 (Nov 06).

[4] Asymmetric digital subscriber Line (ADSL) transceivers - Extended bandwidth ADSL2 (ADSL2+).

ITU G.992.5, January 2005.

Further completed with Amendments 1 (Jul 05), 2 (Jun 06) and 3 (Nov 06).

[5] Test Procedures for Digital Subscriber Line (DSL) Transceivers

ITU G.996.1 (G.test), February 2001. Completed by Erratum 1 (Jan 03) and Amendment 1 (Mar 03)

[6] Physical layer management for digital subscriber line (DSL) transceivers

ITU G.997.1 (G.ploam), May 2003

Further completed with all Corrigenda and Amendments until November 2006.

[7] Handshake procedures for digital subscriber line (DSL) transceivers

ITU G.994.1 (G.hs), May 2003

Further completed with all Corrigenda and Amendments until November 2006.

[8] Asymmetric Digital Subscriber Line (ADSL) - European specific requirements

ETSI TS 101 388 V1.3.1, May 2002

DSL Forum

[9] ADSL2+ Performance Test Plan

Technical report DSL Forum TR-100: 2007

[10] ADSL2+ Functionality Test Plan

Technical report DSL Forum TR-105: 2010

Telecom PTC documents

[11] Specification PTC 281: 2008

Telecom Requirements for Customer-connected ADSL2+ Line Filters

[12] Specification PTC 285: 2010

Telecom Requirements for Customer Premises VDSL2 Splitters

Chorus Specification

[13] Specification C279:2008

Technical Requirements for connection of deployment class systems to Chorus copper local loop

Telecommunications User's Forum

[14] Interference Management Plan (IMP) Parts 1 to 3

TELECOM DISCLAIMER

While every care has been taken, Telecom nevertheless makes no representation or warranty, express or implied, with respect to the sufficiency, accuracy, or utility of any information or opinion contained in this draft Specification. Telecom expressly advises that the use of or reliance on such information is at the risk of the person concerned.

Telecom shall not be liable for any loss (including consequential loss) damage or injury incurred by any person or organisation arising out of the sufficiency, accuracy, or utility of any such information or opinion.

It must be stressed that there is no guarantee of full or continued inter-operability between Telecom's network and products granted provisional Telepermits under the terms of this Specification. In addition, any inter-operability cannot be guaranteed under all operating conditions likely to be encountered on the Telecom network.

1. INTRODUCTION

1.1. Purpose of this document

This document presents the minimum conditions to be met by ADSL customer equipment for connection to Telecom's ADSL over POTS network. This specification covers the basic requirements for "permission to connect" to the Telecom Network. This specification replaces PTC273:2007 and adds a test for total aggregate power and longitudinal output voltage and changes the upstream spectrum for Reach Extended ADSL2 (READSL2) from Mode 1 to Mode 2 to bring it into line with the Telecommunications Carriers Forum Interference Management Plan.

In general, compliance to this specification will not guarantee interoperability between CPE and DSLAM equipment in all circumstances that can occur in the Telecom network. However, functional testing does form part of this specification so there can a reasonable expectation that CPE meeting the requirements will perform adequately on the network. If field experiences with qualified CPE reveal sources of non-interoperability Telecom reserves the right to cancel the Telepermit subject to full interoperability testing being satisfactorily performed. Should general interoperability problems be found, Telecom reserves the right to amend either this Specification or the Interoperability specification as appropriate.

1.2 Goals of CPE qualification

The basic purpose of only using qualified ADSL CPE equipment in its network, is to allow Telecom to fulfil its commitments to its end-users as service provider as to its customers to offer a well performing and reliable service in a cost-effective way.

Years of experience with ADSL deployment have unveiled the pitfalls and issues related to ADSL deployment. As with communications systems in general the ultimate performance limiting factor is noise. This is closely related to signal attenuation, as even in an otherwise electrical quiet environment a signal is attenuated with distance to the point that it is indistinguishable from thermal noise which is a function of receiver bandwidth and temperature. Given this ultimate limit, performance is further limited by induced noise from other sources between the ATU-C and the ATU-R. For example:

- Interference between different telecommunication equipment (crosstalk), negatively impacting performance when more systems are deployed in the same cable binders.
- Bad in-house wiring practices such as untwisted cable, unbalanced wires (e.g. 3-wire), loose connections etc leading to signal distortion and even interruption and/or environmental noise pick-up affecting both performance and stability (service interruptions and packet loss).

1.3 Field impact

Telecom cannot guarantee absolutely that compliance to all requirements listed in this document will not cause any operational problems when deployed in the field. The fulfilment of this specification has merely to be considered as a baseline and minimal set of features for offering reliable ADSL connectivity.

2 Definitions

- ADSL1:** This term groups all “legacy” ADSL standards, i.e. ANSI T1.413 Issue 2, ITU G.992.1 (G.dmt,) and ITU G.992.2 (G.lite,).
- ADSL2:** Groups all “new” ADSL standards, i.e. G.992.3 (G.dmt.bis) and G.992.5 (G.lite.bis).
- eoc:** Embedded Operations Channel: Channel used for signalling control information between ATU-C and ATU-R.
- Interoperability:** Two pieces of equipment are dynamically interoperable if they implement a common and compatible set of features, functions and options and can demonstrate satisfactory mutual communication in a real network architecture environment as performance test conditions are varied and exercised.
- Multi-ADSL:** Indicates the capability of DSLAM or CPE to operate both according to ADSL1 as to ADSL2 specification.
- Operation Mode:** Specific mode out of all up-to-date defined ADSL standards. The set of operation modes considered in this PTC is listed in section 3 of this Specification.
- Auto-mode:** Concept where DSLAM and CPE automatically select best-suited operation mode out of list of enabled ones, that optimized performance for the measured loop conditions.
- TCF:** Telecommunications Carriers Forum
- IMP:** Interference Management Plan. A plan to minimise interference between services sharing a multi-pair copper cable. Compiled by the Telecommunications Carriers Forum.

3. Scope

This PTC replaces PTC273:2007 for all new ADSL CPE equipment to obtain Telepermit for connection Telecom's DSL access network.

ADSL CPE types will be required to support following list of operation modes:

- ADSL2plus over POTS – G.992.5 Annex A
- ADSL2 over POTS – G.992.3 Annex A
- READSL2 over POTS – G.992.3 Annex L (M2)
- ADSL1 over POTS (G.992.1 Annex A and ANSI T1.413 Issue 2)

Testing against the requirements of this specification will be performed on a Multi-ADSL DSLAM, supporting all of above indicated operation modes.

This Specification only covers DSL physical layer requirements. Other requirements, like higher-layer protocols to be supported, in-house networking interfaces, TR-067 compliance, and so on, fall outside the scope of this document.

Finally, this Specification only covers requirements put on the CPE devices themselves. Requirements on filters and/or central splitters, wiring practices and other fall outside the scope of this Specification.

4. REFERENCE MODELS

TNZ PROFILES

The Multi-ADSL DSLAM will beset to the following profile(s) for testing.

Default profile for Multi-ADSL DSLAM ports:

		TNZ_MM_Unlimited_NM12dB_interleaved	
		Upstream	Downstream
Datarates (min-planned-max)		32-600-1200 kbps	32-16000-24000 kbps
Max. Interl. Delay		8 ms	8 ms
Min. INP		2 symbols	2 symbols
Noise Margins (min-target-max)		0-12-Inf (51.1)	0-12-Inf (51.1)
Max ATP		12 dBm	20.4 dBm
Max NOM PSD	ADSL1/2	- 38 dBm/Hz	-40 dBm/Hz
	READSL2	-32.9 dBm/Hz	-37 dBm/Hz
	ADSL2plus	-38 dBm/Hz	-40 dBm/Hz
Cabinet Mask		-	No, default CO mask
RFI bands		No bands configured	
Carrier Masking		None	None
Upstream Power Back-off		Disabled	NA
Allowed Operating modes		G.992.5 Annex A G.992.3 Annex A, L(M2) G.992.1 Annex A T1.413 Issue 2	

5. GENERAL REQUIREMENTS

5.1 Supplier Information

The following information shall be provided as part of an application for a Telepermit:

1. Equipment Manufacturer:
2. Equipment model no. or product name:
3. Hardware Version:
4. Firmware Version:
5. Chipset (Vendor, HW and Firmware)
6. Configurations Details:
 - *Configuration details are limited to those parameters which, if altered would affect compliance against this Specification*
 - *Such parameters shall not be able to be changed under user control in customer equipment*

6. TELECOM SPECIFIC REQUIREMENTS AND TESTS

6.1 Total Aggregate Power

The total aggregate transmit power measured across the entire pass band shall comply with the limits set in the New Zealand Copper Local Loop Interference Management Plan Part 3 for Deployment class 6. The terminating impedance is specified for each deployment class. Total aggregate power shall be measured for each of ADSL2plus (G.992.5 Annex A.2.2), ADSL2 Annex A (G.992.3 Annex A.2.2), ADSL1 Annex A (G.992.3 Annex A.2.2) and READSL2 M2 mode (G992.3 Annex L.2.3) against the limits set in the IMP.

- Ref: IMP Part 1 Appendix B.3.1

6.2. PSD compliance test

6.2.2 Requirements

(1) When operating in ADSL2plus mode, transmit spectrum of CPE shall comply to G.992.5 Annex A.2.2 (ATU-R upstream transmit spectral mask)

(2) When operating in ADSL2 Annex A mode, transmit spectrum of CPE shall comply to G.992.3 Annex A.2.2 (ATU-R upstream transmit spectral mask)

(3) When operating in READSL2 M2 mode, transmit spectrum of CPE shall comply to G.992.3 Annex L.2.3 (ATU-R upstream transmit spectral mask 2 for reach-extended operation)

(4) When operating in ADSL1 Annex A mode, transmit spectrum of CPE shall comply to G.992.3 Annex A.2.2 (ATU-R upstream transmit spectral mask)

- G.992.3 mask is tighter for OOB than ADSL1, and thus less impacting ADSL2plus and HDB3 on frequencies above 1.1 Mhz. Telecom requires same OOB PSD when operated in ADSL1 operation mode.

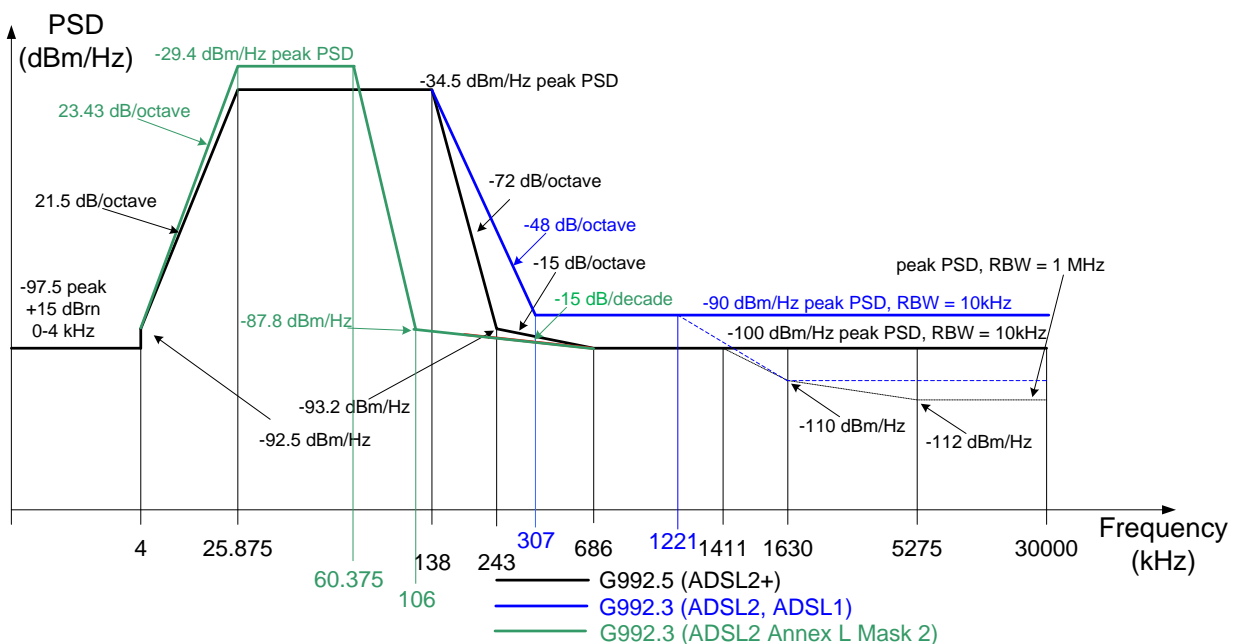


Figure 6.2.2 ATU-R Transmitter PSD

Frequency (kHz)	Requirement	Measurement conditions
0 - 4	-75 dBm	Total power (0 - 4 kHz) into 600 Ohms
	-97.5 dBm/Hz	RBW 12.5 Hz into 100 Ohms

Table 6.2.2.1 0 - 4 kHz requirement for all modulations

Frequency (kHz)	PSD Limit (dBm/Hz)	RBW	Impedance
4	-92.5 dBm/Hz	100 Hz	100 Ohms
25.875	-34.5 dBm/Hz	10 kHz	
138	-34.5 dBm/Hz	10 kHz	
243	-93.2 dBm/Hz	10 kHz	
686	-100 dBm/Hz	10 kHz	
30000	-100 dBm/Hz	10 kHz	

Frequency (kHz)	PSD Limit (dBm/Hz)	RBW	Impedance
1411	-100 dBm/Hz	1 MHz	100 Ohms
1630	-110 dBm/Hz	1 MHz	
5275	-112 dBm/Hz	1 MHz	
30000	-112 dBm/Hz	1 MHz	

Table 6.2.2.2 Requirements for G992.5 Annex A (ADSL2+)

Frequency (kHz)	PSD Limit (dBm/Hz)	RBW	Impedance
4	-92.5 dBm/Hz	100 Hz	100 Ohms
25.875	-34.5 dBm/Hz	10 kHz	
138	-34.5 dBm/Hz	10 kHz	
307	-90 dBm/Hz	10 kHz	
30000	-90 dBm/Hz	10 kHz	

Frequency (kHz)	PSD Limit (dBm/Hz)	RBW	Impedance
1221	-90 dBm/Hz	1 MHz	100 Ohms
1630	-110 dBm/Hz	1 MHz	
30000	-100 dBm/Hz	1 MHz	

Table 6.2.2.3 Requirements for G992.3 Annex A (ADSL2, ADSL1)

Frequency (kHz)	PSD Limit (dBm/Hz)	RBW	Impedance
4	-92.5 dBm/Hz	100 Hz	100 Ohms
25.875	-29.4 dBm/Hz	10 kHz	
60.375	-29.4 dBm/Hz	10 kHz	
106	-87.8 dBm/Hz	10 kHz	
686	-100 dBm/Hz	10 kHz	
30000	-100 dBm/Hz	10 kHz	

Frequency (kHz)	PSD Limit (dBm/Hz)	RBW	Impedance
1411	-100 dBm/Hz	1 MHz	100 Ohms
1630	-110 dBm/Hz	1 MHz	
5275	-112 dBm/Hz	1 MHz	
30000	-112 dBm/Hz	1 MHz	

Table 6.2.2.5 Requirements for G992.3 Annex L (READSL2 (M2))

6.2.3 Test rationale

Compliance to spectral masks is required to limit interference with other services using the same cable.

6.2.4 Test procedure

To carry out the following tests, connect the equipment under test to an ATU-C via a suitable resistive attenuator, with a spectrum analyser. See Figure 6.2.4.1 and 6.2.4.2.

For the 0-4 kHz measurements, a Telepermitted splitter (PTC 285) should be used (Figure 6.2.4.1) to prevent the much higher power upstream passband overloading the probe. Similarly, at the higher frequencies, a high pass filter may be necessary.

The attenuation should be increased until, the ATU-C spectrum is attenuated sufficiently to allow the ATU-R output to be measured.

- *To measure the ADSL1, ADSL2 Annex A and ADSL2+ spectra, the modems may have to be forced to transmit these specific modulations. ADSL2 Annex L however cannot be set in the modem, but with sufficient attention, the DSLAM should automatically select these modes.*

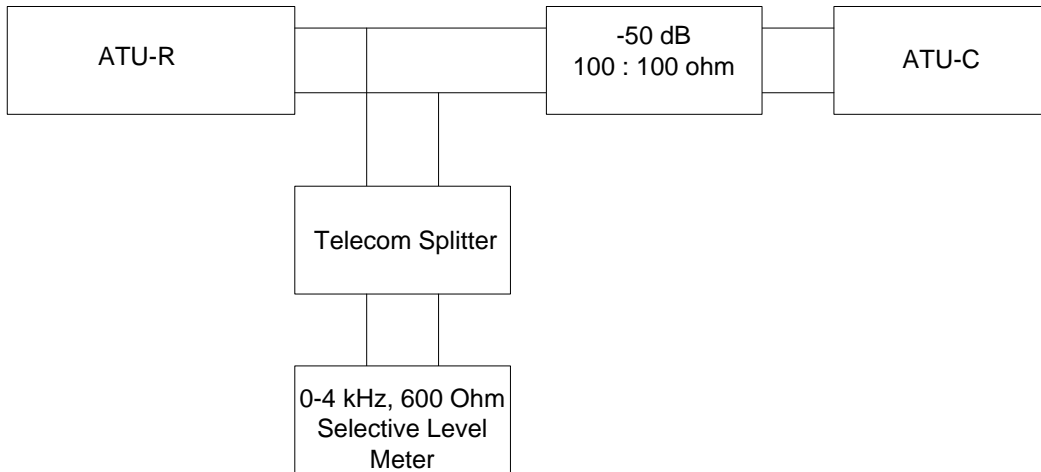


Figure 6.2.4.1 Setup for testing voice band power

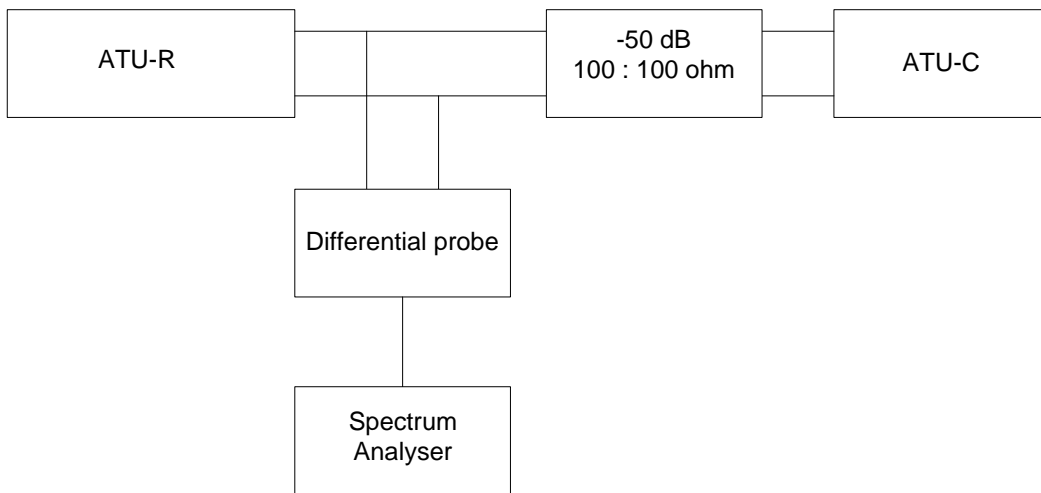


Figure 6.2.4.2 Setup for testing above voice band

To be verified

In-band compliance of mask

4 tests to be performed:

ADSL2plus (G.992.5 Annex A.2.2), ADSL2 Annex A (G.992.3 Annex A.2.2), ADSL1 Annex A (G.992.3 Annex A.2.2) and READSL2 M2 mode (G992.3 Annex L.2.3) against a Multi-Mode DSLAM

6.3 Longitudinal Balance

The Longitudinal Balance of both the network and customer equipment shall comply with the limits set in the New Zealand Copper Local Loop Interference Management Plan Part 3 for Deployment class 6.

- Ref: IMP Part 1 Appendix B.3.3

6.4 Longitudinal output voltage

The Longitudinal Output Voltage of both the network and customer equipment shall comply with the limits set in the New Zealand Copper Local Loop Interference Management Plan Part 3 for Deployment class 6. Longitudinal output voltage shall be measured for each of ADSL2plus (G.992.5 Annex A.2.2), ADSL2 Annex A (G.992.3 Annex A.2.2), ADSL1 Annex A (G.992.3 Annex A.2.2) and READSL2 M2 mode (G.992.3 Annex L.2.3) against the limits specified in the IMP.

- *Ref: IMP Part 1 Appendix B.3.4*
- *The detailed measurement techniques used may vary for different deployment classes, but shall follow the general methodology documented in the New Zealand Copper Local Loop Interference Management Plan Part 1 Appendix B.*
- *Where the equipment uses DC power feed or wetting current, the test set-up shall include these components and suitably sized blocking capacitors shall be included in the test circuit.*

6.5. CPE identification test

6.5.1 Requirements

(1) It shall be possible to uniquely identify the CPE through the combination of modem vendor information (as defined in G.994.1) and system vendor information (in eoc channel, see e.g. G.992.3).

(2) The CPE manufacturer shall ensure that the system vendor information is correctly filled in. This information should be easy to interpret.

The manufacturer shall describe its methodology of linking system vendor info with actual CPE types. The methodology should link system vendor info with both HW and firmware versions of the CPE.

(3) The CPE shall at least support following operation modes G.992.5 Annex A, G.992.3 Annex A, G.992.3 Annex L Mask 2, G.992.1 Annex A.

(4) By default, the CPE shall indicate all operating modes it supports in G.994.1 CLR message.

(5) Operation modes should not be enabled/disabled by the end-user (via any vendor-specific interface between PC and CPE) but should by default all be allowed. It is up to the DSLAM and the configured profile to select the appropriate operation mode out of the list of available modes. The CPE shall follow the operation mode imposed by the DSLAM.

6.5.2 Test rationale

The ability to identify CPE types is invaluable for diagnosing faults. Easily rectified problems such as running out-of-date firmware can be easily identified remotely. Also, should interoperability problems occur with specific CPE models, this can easily be identified, and communicated back to the Telepermit holder.

6.5.3 Test procedure

1. Bring the test port out of service. Configure the test port with default profile. Power cycle the CPE.

2. Bring the test port in service. Wait until the modem has trained.

3. Retrieve following data on the DSLAM:

Type	Parameter	Number bytes	Reference
Far-End System Vendor Identification	vendor Id	8	G.992.3 par 9.4.1.4
	version number	16	
	serial number	32	
Far-End Modem Vendor Identification	vendor Id	8	G.994.1 par 9.3.3.1
Far-End operation mode capability list		Bitmap	G.994.1 par 9.4 (SIF)

- *The test has to be power cycled (step 1) to ensure it is not keeping history data. It is allowed that the CPE uses so-called "warm init" by immediately sending MS from second initialisation on.*

Pass/Fail criteria

Test is successful if:

(a) Operation mode capability list at least indicates the modes required in 6.5.1(3).

(b) Modem and system vendor information of the CPE are available, filled in correctly and in line with information on identification strategy provided by the vendor to Telecom.

- *This initial test is merely informational for Telecom to identify the CPE under test. Telecom has the right to request the CPE vendor to change/update the vendor information in case it is ambiguous, incomplete or same as other equipment already deployed in the Telecom network.*

Number of tests

1 initialisation

6.6. Basic Performance test

NOTE: *This section (6.6.1 to 6.6.4) is not applicable to any commercial equipment or any CPE which requires a professional installer to commission it.*

This section is applicable to any consumer equipment or a residential CPE intended for installation without professional intervention where "out-of-box" programming is limited to username, password and basic network credentials.

6.6.1 Requirement

This test sets the minimum downstream performance to be achieved by the modem on a typical customer line.

6.6.2 Test rationale

This test case is designed to give an indication that the modem will connect to a Telecom DSLAM and exceed a minimal data rate. This test is not a comprehensive performance test but eliminates any product which is not fit for purpose.

6.6.3 Test procedure

This test uses Telecom cable between the Test Laboratory and the nearest Telecom ADSL2+ DSLAM.

1. Measure downstream speed of a reference modem
2. Connect modem under test and measure downstream speed
3. Repeat steps 1 and 2

The time between each test shall be not more than 5 minutes

6.6.4 Result

The average speed of the two tests of the modem under test shall be not less than 60% of the average speed of the two tests of the reference modem.

6.7. Electrical safety

(1) The electrical safety requirements of AS/NZ 60950 shall be complied with by all CPE items covered by this Specification.

(2) Test reports to AS/NZ 60950 or its equivalent shall be supplied by a testing laboratory which is either recognised by Office of the Chief Electrical Engineer of the Ministry of Consumer Affairs (a division of the Ministry of Business, Innovation and Employment), or which is accredited by IANZ or one of its affiliated overseas laboratory registration authorities for electrical safety testing.

- *A considerable proportion of telecommunications equipment now available was originally manufactured for the North American and Japanese markets, where the mains voltage is only 100-110 V. Such overseas equipment is often designed with inadequate internal clearances between its components to meet New Zealand electrical safety requirements, which are based on 230 V operation.*

(3) Any separate external power supply used shall also comply with the requirements of AS/NZ 60950 or its equivalent.

(4) Any separate external power supply used shall be suitably labelled so that it is easily and positively identifiable as being associated with the modem.

- *The power supply is critical to the performance of the modem, and it cannot be substituted for generic power supplies of similar rating.*

6.8 EMC compliance

(1) The requirements of AS/NZ CISPR 22/32 (ETSI EN55022/32 or direct equivalent) shall be complied with by all CPE items covered by this Specification.

- The New Zealand requirements for general EMC compliance by items of equipment intended to be installed in customer's premises are the same as those applicable in most overseas countries, including Australia, which most suppliers seem to regard as a single market with New Zealand. As such, test reports acceptable in New Zealand will generally already be available as the result of testing carried out for other markets.

(2) It is a regulatory requirement that test reports to AS/NZS CISPR22/32 or its equivalent shall be held by suppliers of this class of equipment and that a formal Supplier Declaration of Conformity (SDoC) along with the test reports shall be held by the supplier and made available to the Radio Spectrum Management division of the Ministry of Business, Innovation and Employment when requested.

(3) Where the power supply is separate from the modem, it shall comply with AS/NZS CISPR22/32 or equivalent.

- *For energy efficiency requirements these are almost always switched mode, and have the potential to generate EMI*

6.9 WLAN compliance

Where a modem includes WLAN functionality, it shall comply with appropriate standards.

- *ETSI Specification EN 300 328 v 010701 (2.4 GHz)*
- *ETSI Specification EN 301 893 v 010501 (5 GHz)*
- *AS/NZS 4268 (general requirements for Short Range Devices)*

6.10. Compatibility with voiceband services on the same line

(1) POTS band requirements apply at the POTS port of the standard Telecom remote POTS splitter.

(2) The line termination of ATU-R shall include a DC isolating capacitor having a one-minute voltage rating no less than 400 Vdc, in relation to the voiceband input impedance requirement that the imaginary part shall be in the range -1.1 to -2.0 kohm at 4 kHz.

- *Reference: G.992.1 Annex A.4.2.1 and A.4.1.*

(3) The DC resistance at 250 V dc shall not be less than 5 Mohm.

(4) Operation in the presence of interference from POTS services
The application of POTS network ringing and POTS CPE ring trip shall not cause the modem to re-sync.

Test Procedure

Using the configuration in Fig 6.10, send 5 cadences of Telecom standard ringing. The line is then looped with the designated AC and DC impedance for 15 seconds, then the loop is removed. After a further period of 15 seconds, the sequence is repeated, 25 times.

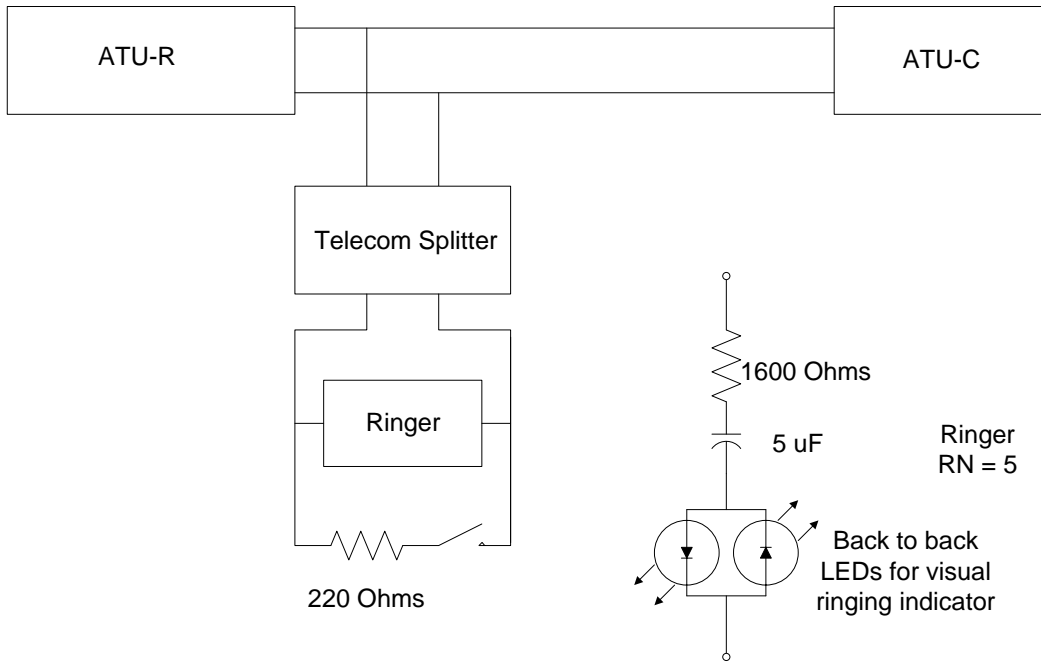


Figure 6.10 Test Set up for ringing and on-hook/off-hook tests

6.11 User Instructions

Clear User Instructions shall be supplied with every modem. These shall be specific to connection to the Telecom network. They may be part of the full user manual or a New Zealand set up supplement. The basic minimum setup data is contained on the Telepermit website at: <http://www.telepermit.co.nz/ADSLModemSetUp.html>

The test laboratory shall set up the modem using the instructions supplied and note any deficiencies or ambiguities.